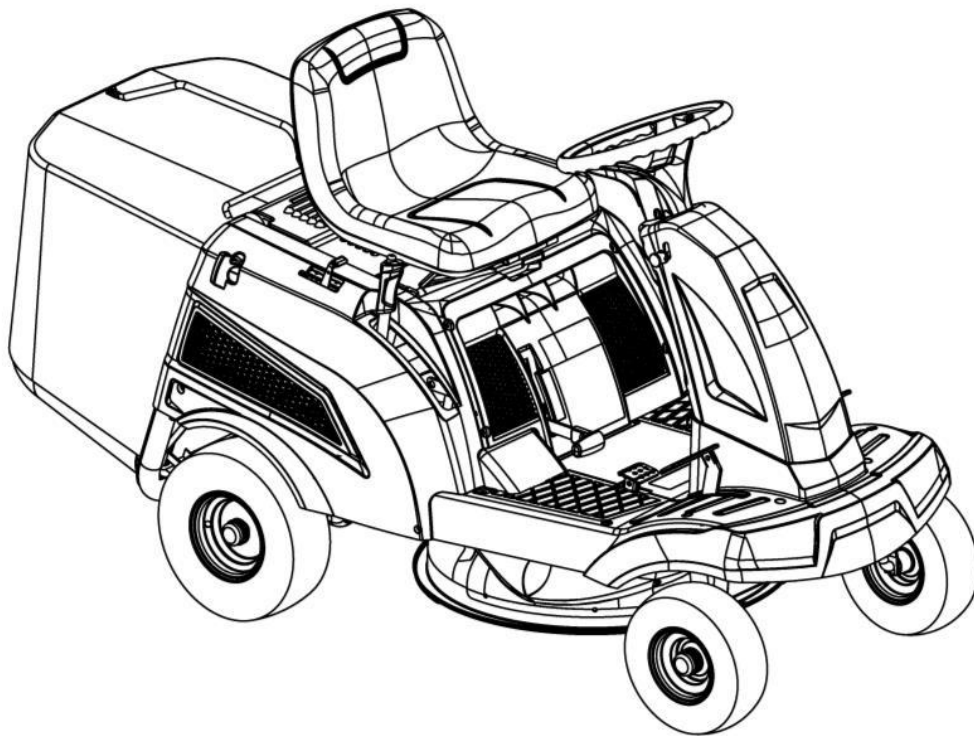


COBRA

COBRA GARDEN TRACTOR OWNER'S MANUAL

MODEL: LT62MRL (TRM162-L224)
LT62HRL (TRM162H-L224)



WARNING!

When using the machine the safety rules must be followed. For your own safety and bystanders please read these instructions before operating the machine. Please keep the instructions safe for later use.

Cobra Garden Machinery
Henton and Chattell Ltd., London Road, Nottingham NG2 3HW UK
www.cobragarden.co.uk

INTRODUCTION

Dear Customer,

Thank you for choosing a Cobra garden machinery product.

This manual has been written to help you become familiar with the machine and use it safely and efficiently. Do not forget that it is an integral part of the machine, so keep it close at hand for future reference and pass it on to the purchaser if you sell the machine.

The garden tractor has been designed and built in compliance with current standards, and is safe and reliable when used for cutting and collecting grass following the instructions in this manual. Always follow the instructions to ensure safe operation. If you use the machine in any other way or ignore the instructions for safe use, maintenance and repair, it is considered "**incorrect usage**". In this case, the warranty is automatically voided and the manufacturer will not be held responsible for damage or injury to yourself or others.

We continuously improve our products and as such minor modifications may result in slight differences between your garden tractor and the instruction manual. Modifications can be made to the machine without notice and without the obligation to update the manual, although the essential safety and function characteristics will remain unaltered. If in doubt, do not hesitate to contact your dealer. And now enjoy your Cobra garden tractor.

AFTERSALES SERVICE

This manual gives all the necessary instructions for using the machine and carrying out basic maintenance.

Any adjustments or maintenance operations not described in this manual must be carried out by your dealer or a specialised Service Centre. Both have the necessary knowledge and equipment to ensure that the work is done correctly without affecting the safety of the machine.

This will help you keep your new purchase in peak performance and maintain its value over time.
For any replacement parts, contact your Cobra dealer.

WARNING LABELS

	Before starting operation, read the operating instructions.		Do not drive on gradients of more than 8° (15%)!
	Keep other people, especially children and animals, out of the working area during mowing.		
	Remove the ignition key before maintenance and repair work!		
	Important – danger! Keep your hands and feet away from the blade system.		
			Risk of burns on hot surfaces!

TABLE OF CONTENTS

1. SAFETY	4
2. IDENTIFICATION OF THE MACHINE AND COMPONENTS.....	8
3. UNPACKING AND ASSEMBLY	10
4. CONTROLS AND INSTRUMENTS	11
5. CHECKS BEFORE USE INSTRUCTIONS	17
6. OPERATING THE RIDE-ON MOWER	19
7. CLEANING THE RIDE-ON MOWER	24
8. MAINTENANCE.....	25
9. TRANSPORT.....	28
10. STORAGE	29
11. TROUBLESHOOTING.....	29
12. TECHNICAL DATA	32
13. WARRANTY	34
14. EC DECLARATION	35

1. SAFETY

1.1 HOW TO READ THE MANUAL

Some paragraphs in the manual containing important information regarding safety and operation are emphasised in the following ways.

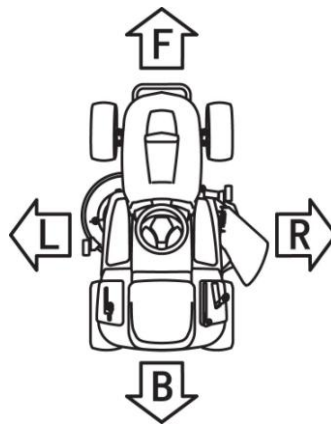
NOTE or **IMPORTANT** These give details or further information on what has already been said, in the aim to prevent damage to the machine.

▲ WARNING! Non-observance will result in the risk of injury to oneself or others

▲ DANGER! Non-observance will result in the risk of serious injury or death to oneself or others

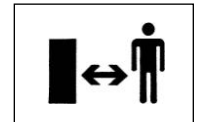
NOTE Positions refer such as “front”, “back”, “left” or “right” hand side, refer to forward travel direction.

IMPORTANT For all operations regarding the use and maintenance of the engine not described in this manual, refer to the relevant manuals which form an integral part of all the documentation supplied with the machine.



1.2 GENERAL SAFETY REGULATIONS

▲ WARNING! Read carefully before using the machine.



A) **TRAINING** - Read the instructions carefully.

Be familiar with the controls and how to use the equipment properly.

- Never let children or people unfamiliar with these instructions use the machine. Local regulations can restrict the age of the user.
- Never mow while people, especially children, or pets are nearby; Never mow while dark.
- Keep in mind that the operator or user is responsible for accidents or hazards occurring to other people or their property.
- Do not carry passengers.
- All drivers should seek and obtain professional and practical instruction. Such instruction should emphasise:
 - the need for care and concentration when working with ride-on machines;
 - you cannot use the brake to regain control of a ride-on machine sliding down a slope.

The main reasons for loss of control are:

- insufficient wheel grip;
- over-speeding;
- inadequate braking;
- the type of machine is unsuitable for its task;
- unawareness of the effect of ground conditions, especially slopes;
- incorrect hitching and load distribution

B) PREPARATION



While mowing, always wear sturdy footwear and long trousers. Do not operate the equipment barefoot or wearing open sandals. Thoroughly inspect the area where the equipment is to be used and remove all objects which can be ejected from the machine, such as twigs, branches, stones, and other debris.



DANGER! Petrol is highly flammable:

- store fuel in containers specifically designed for this purpose;
- refuel outdoors only and do not smoke while refueling;



Add fuel before starting the engine. Never remove the cap of the fuel tank or add petrol while the engine is running or when the engine is hot;



- if you spill petrol, do not start the engine and move the machine away from the area of spillage. Do not create any source of ignition until the petrol vapors have evaporated;

- put back and tighten all fuel tank and container caps securely.

- Replace faulty silencers.

- **Before use**, always inspect the machine to check that the blades, blade bolts and cutter assembly are not worn or damaged. Replace worn or damaged blades and bolts in sets to preserve balance.

- On multi-bladed machines, remember that the rotation of one blade can cause other blades to rotate.

NOTICE! – Always check the engine oil is the correct level before starting. Check the engine manual for further details.

C) OPERATION



- 1) Do not start the engine in a confined space where dangerous carbon monoxide fumes can collect.
- 2) Mow only in daylight or good artificial light.
- 3) Before starting the engine, disengage the blades and shift into neutral.
- 4) Do not use the machine on slopes with longitudinal gradients of more than 15°(27%). Do not use the machine on slopes with lateral gradients above 10°(18%).
- 5) Remember there is no such thing as a “safe” slope. Travelling on grass slopes requires particular care.

To guard against overturning:

- do not stop or start suddenly when going up or downhill;
- engage the drive slowly and always keep the machine in gear, especially when travelling downhill;
- machine speeds should be kept low on slopes and during tight turns;
- stay alert for humps and hollows and other hidden hazards;
- never mow across the face of the slope.
- use care when pulling loads or using heavy equipment:
- use only approved drawbar hitch points;
- limit loads to those you can safely control;
- do not turn sharply. Use care when reversing;
- use counterweight(s) or wheel weights whenever advised in the instructions manual.

6) Stop the blades before crossing surfaces other than grass.

7) Never use the machine with damaged guards, or without the safety protective devices in place.

8) Do not change the engine governor settings or overspeed the engine. Operating the engine at excessive speed can increase the risk of personal injury.

9) Before leaving the driving seat:

- disengage the blades and lower the attachments;

- go into neutral and apply the parking brake;
- stop the engine and remove the ignition key.
- 10) Disengage the blades, stop the engine and remove the ignition key:
 - before clearing blockages or unclogging the collector channel;
 - before cleaning, checking or servicing the machine;
 - after striking a foreign object. Inspect the machine for damage and make repairs before restarting and operating the machine;
 - If the machine starts to vibrate abnormally (check for the causes immediately).
- 11) Disengage the blades for transport or whenever they are not in use.
- 12) Stop the engine and disengage the blades:
 - before refueling;
 - before making height adjustments unless adjustment can be made from the operator’s position.
- 13) Reduce the throttle during engine run-out. If the engine is provided with a shut-off
- 14) Cut off the fuel with the fuel valve when you have finished mowing.
- 15) Watch out for traffic when crossing or near roadways.
- 16) Never direct discharge of material towards bystanders nor allow anyone near the machine while in operation.

D) MAINTENANCE AND STORAGE

- 1) Keep all nuts, bolts and screws tight to be sure the equipment is in safe working condition.
- 2) Never store the equipment with petrol in the tank inside a building where fumes may reach an open flame or spark.
- 3) Allow the engine to cool before storing in any enclosure.
- 4) To reduce fire hazards, keep the engine, silencer, battery compartment and petrol storage area free of grass, leaves, or excessive grease.
- 5) Check the grass-catcher frequently for wear or deterioration.
- 6) Replace worn or damaged parts for safety purposes.
- 7) If the fuel tank has to be drained, this should be done outdoors.
- 8) On multi-bladed machines, remember that the rotation of one blade can cause other blades to rotate.
- 9) When the machine is to be parked, stored or left unattended, lower the cutting means unless a positive mechanical lock is used.

1.3 SAFETY LABELS

Your machine must be used with care. This is why labels with illustrations have been placed on the machine, to remind you of the main precautions to take during use. These labels are to be considered an integral part of the machine. Should a label come off or become illegible, contact your dealer to replace it. Their meaning is explained below.



Warning:

Read the instructions before operating this machine.



Danger!

Dismemberment:

Make sure that children stay clear of the machine at all time when engine is running.



Warning:

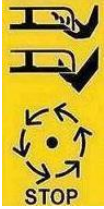
Disconnect the ignition key and read the instructions before carrying out any repair or maintenance work.



Danger!

Risk of burns

Wait for the engine to completely cool down before making any adjustments or servicing the engine itself.



Warning:
No step on the deck or discharge guard.



Warning: Do Not Step

Danger: Risk of overturning on steep slopes
Do not use the machine on slopes with a gradient greater than 8 degrees (15%).



Danger: Ejected Objects
Always operate with the grass catcher or discharge guard in place



Danger: Risk of Injury
Keep bystanders away
Blades continue to rotate after switching off the engine or disengaging the blade.



Warning: Keep hands and feet away from blades

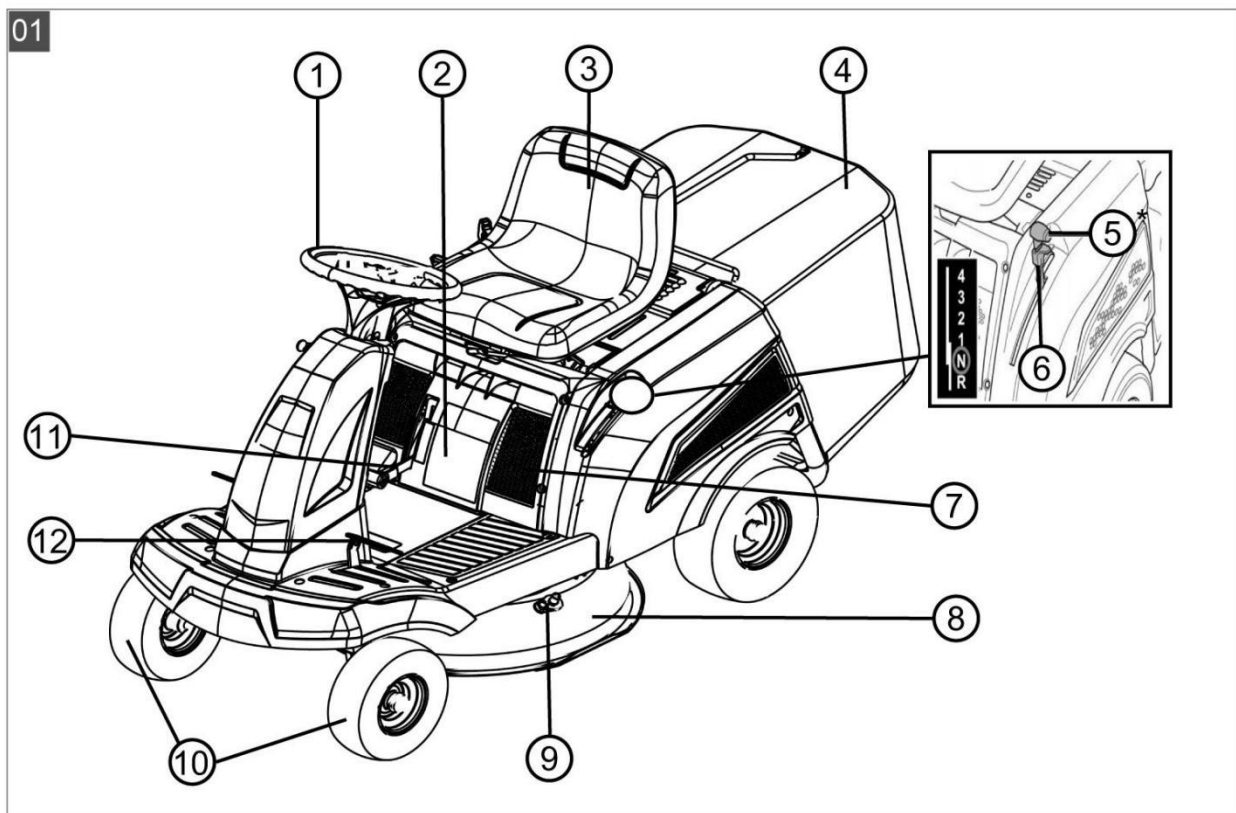


Warning:
Never use a pressure washer on the transmission system.

2. IDENTIFICATION OF THE MACHINE AND COMPONENTS

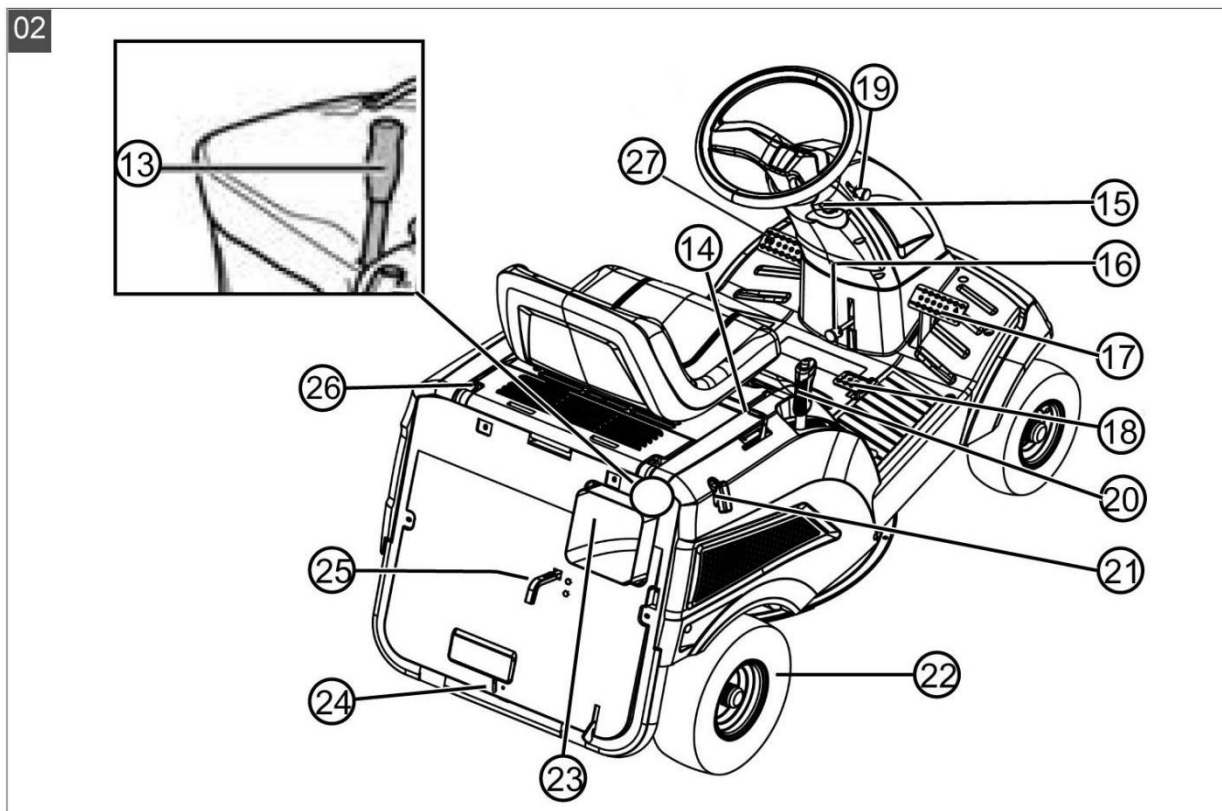
IMPORTANT

The lawnmower must always be used with utmost caution. So that safety precautions and operating instructions are always readily on hand, labels have been affixed to the machine showing pictographs illustrating the main operating precautions. The labels, according to applicable safety standards, are considered an integral part of the machine, the user is therefore responsible for replacing them in the event they become detached or illegible.



- | | | | |
|---|--------------------------------|----|-----------------------|
| 1 | Steering wheel | 7 | Bonnet |
| 2 | Safety sticker | 8 | Mower mechanism |
| 3 | Operator's seat | 9 | Cleaning fitting |
| 4 | Grass catcher | 10 | Front wheels, steered |
| 5 | Selector lever | 11 | Mower mechanism lever |
| 6 | Release lever for reverse gear | 12 | Brake pedal |

02



- | | | | |
|----|--------------------------------------|----|----------------------|
| 13 | Lever for grass catcher | 21 | Cable starter handle |
| 14 | Throttle lever with choke | 22 | Rear wheels, driven |
| 15 | Ignition lock | 23 | Discharge channel |
| 16 | Locking lever for brake/clutch pedal | 24 | Bypass lever |
| 17 | Forwards pedal | 25 | Fill level sensor |
| 18 | Reverse pedal | 26 | Engine cover |
| 19 | Enable button for reverse mowing | 27 | Brake/clutch pedal |
| 20 | Adjusting lever for cutting height | | |

3. UNPACKING AND ASSEMBLY

For storage and transport purposes, some components of the machine are not installed in the factory and have to be assembled after unpacking.

Follow the instructions below:

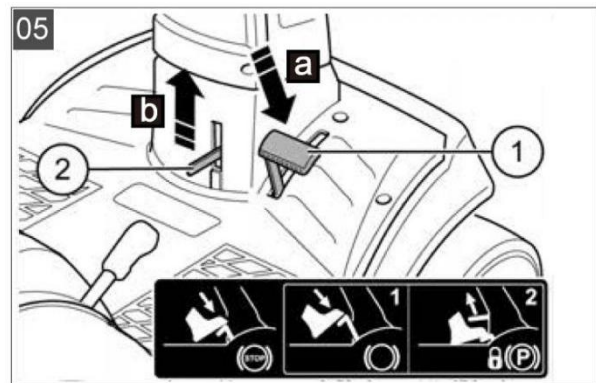
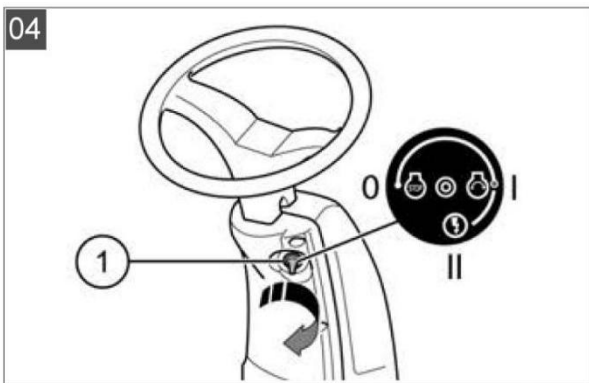
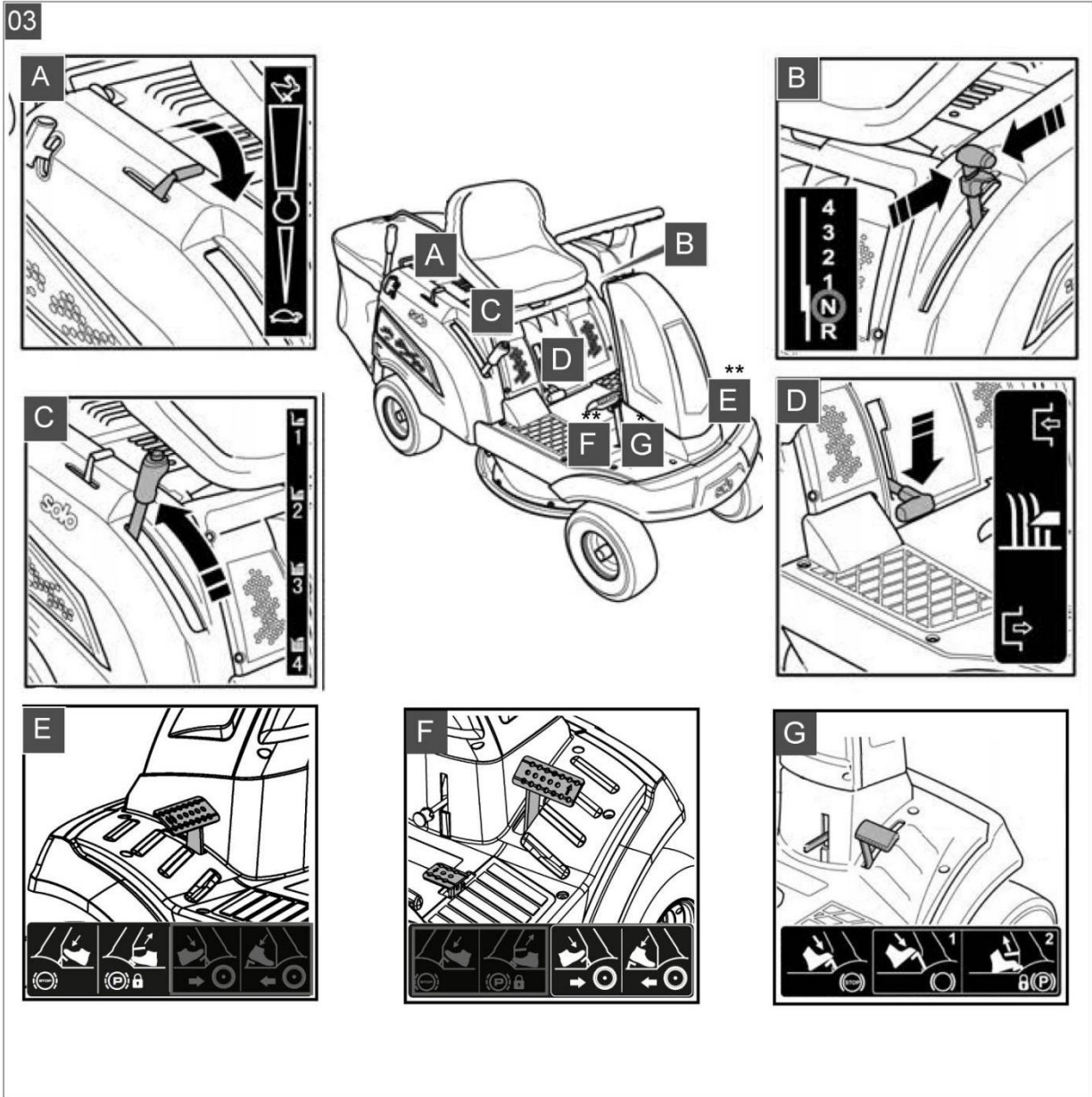
IMPORTANT

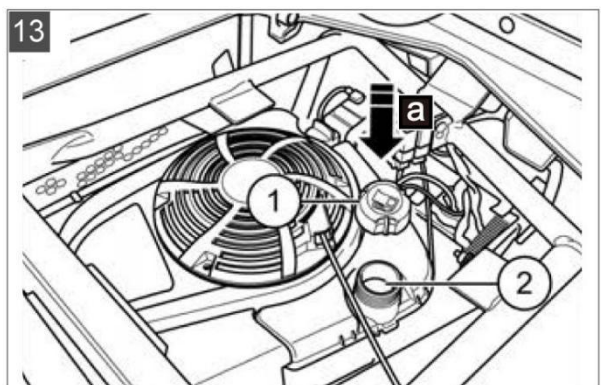
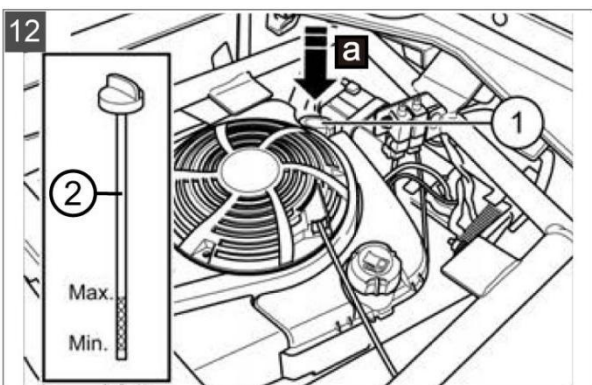
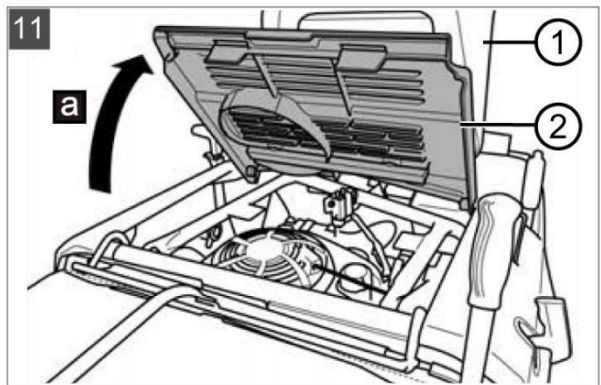
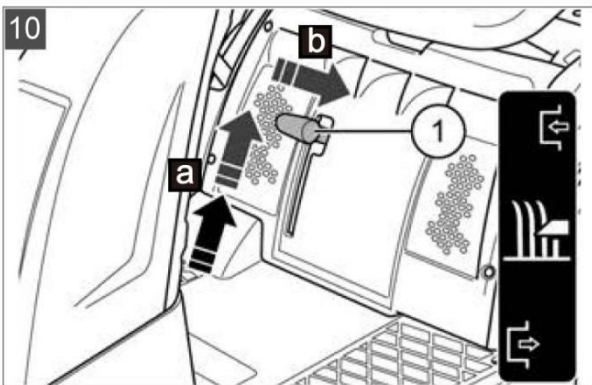
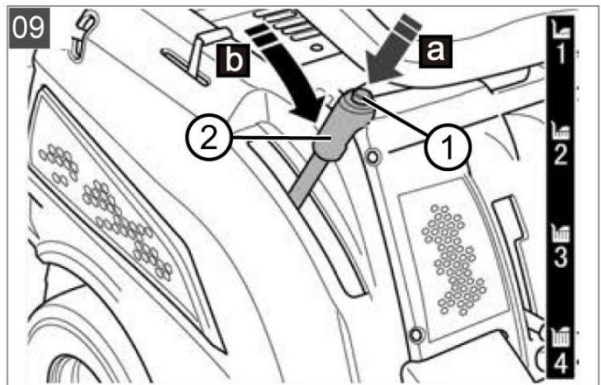
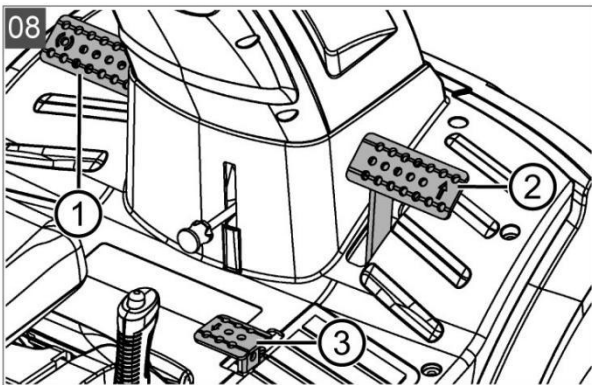
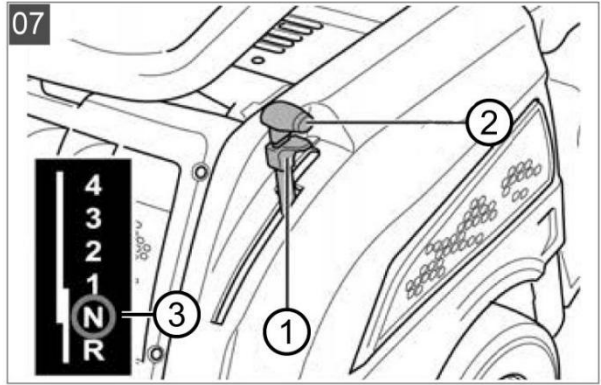
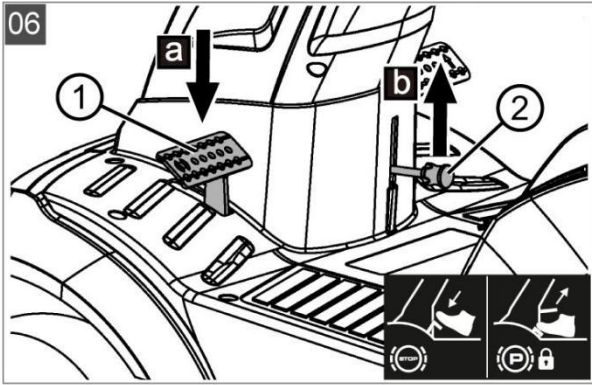
The machine is supplied without engine oil or fuel. Before starting the engine, fill with oil and fuel following the instructions given in the engine manual.

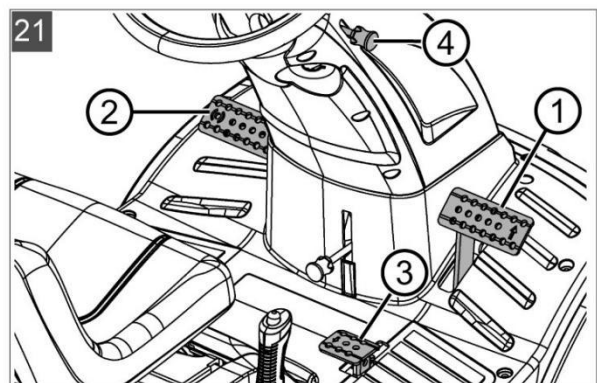
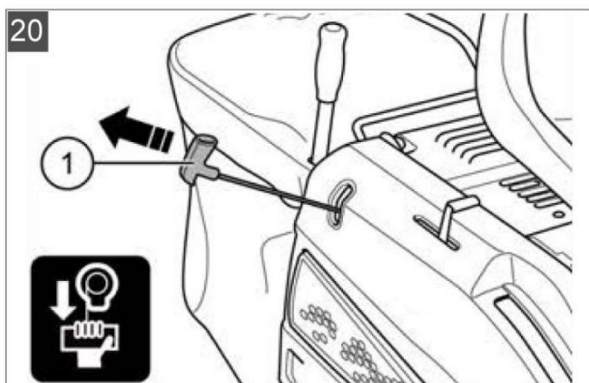
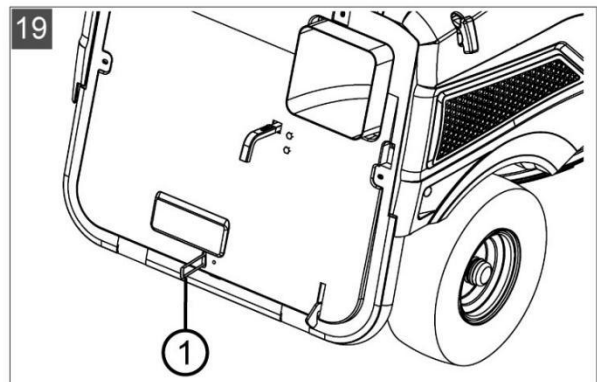
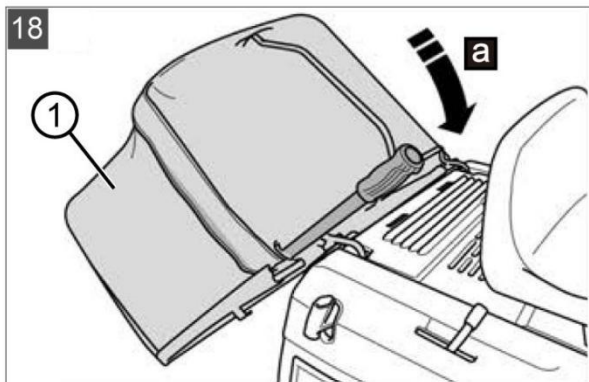
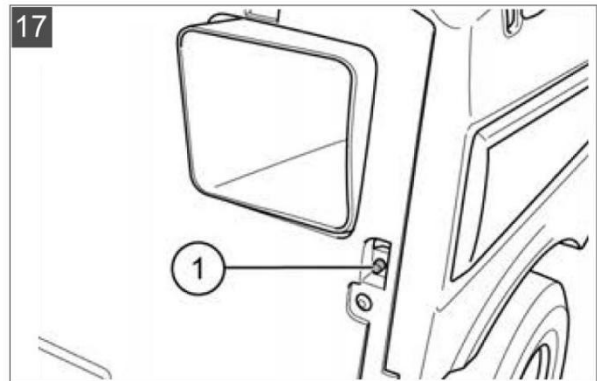
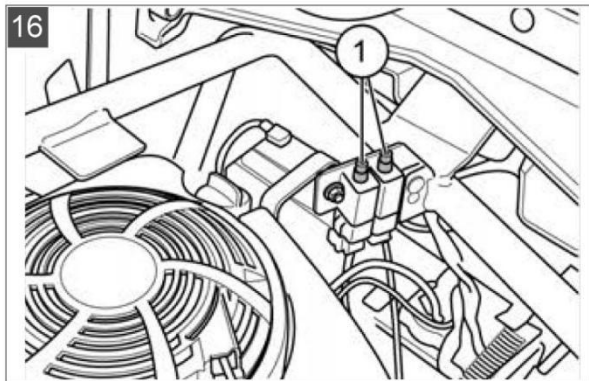
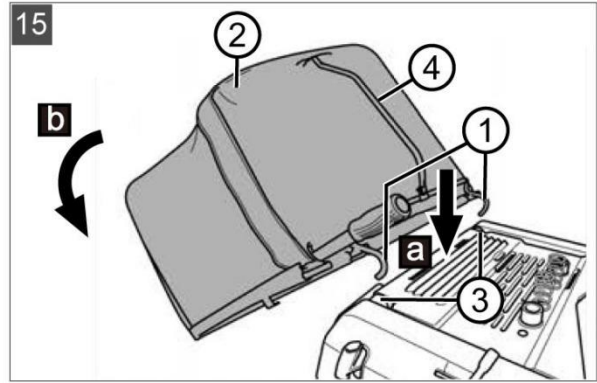
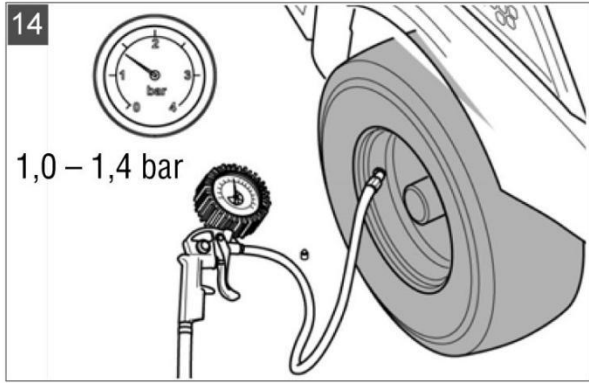
3.1 UNPACKING

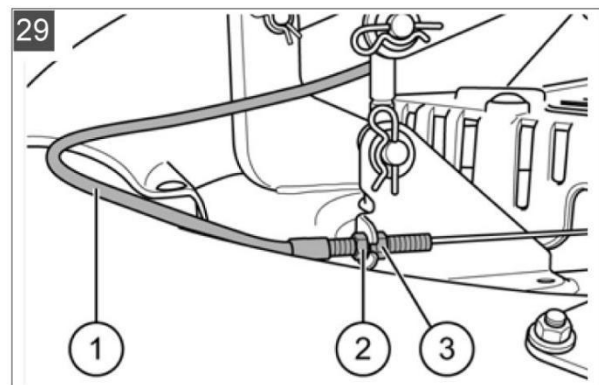
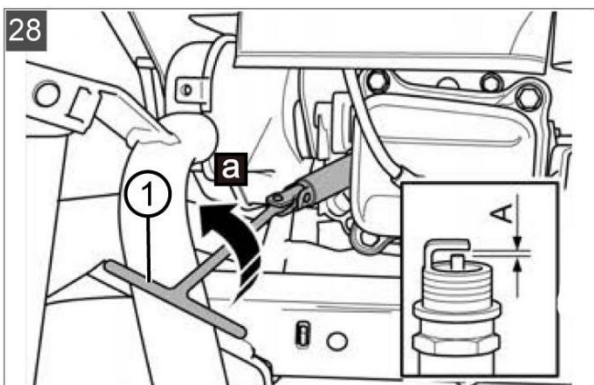
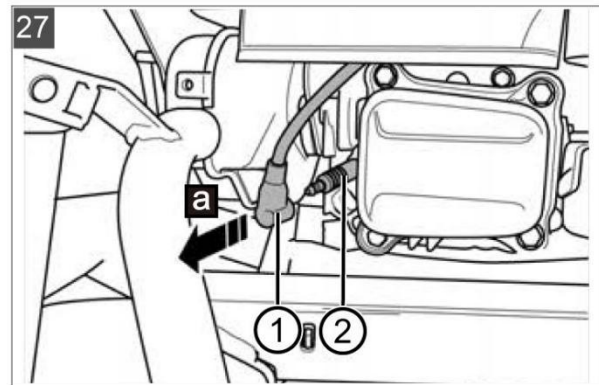
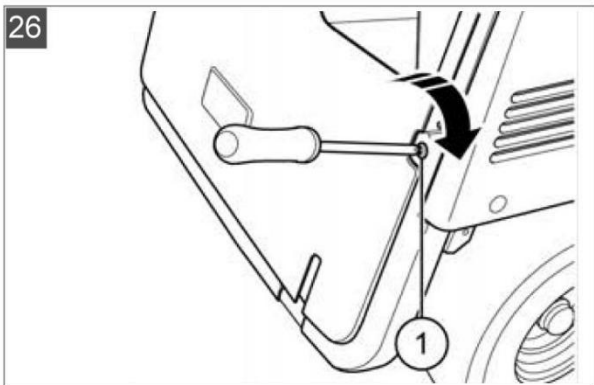
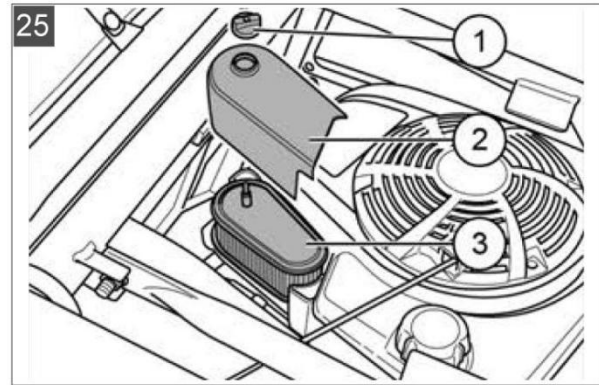
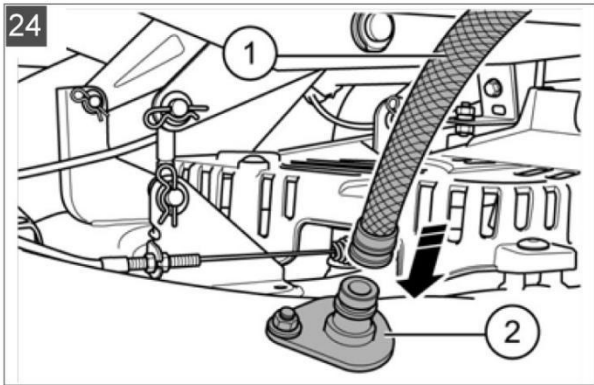
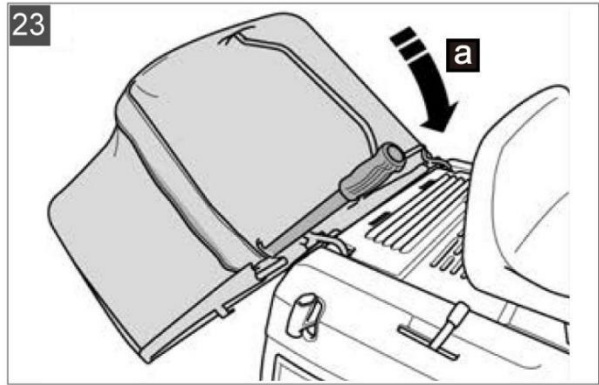
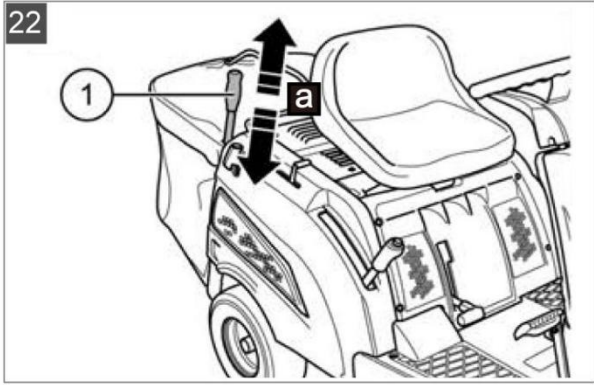
When unpacking the machine, take care to gather all individual parts and fittings, and do not damage the cutting deck when taking the machine off the pallet.

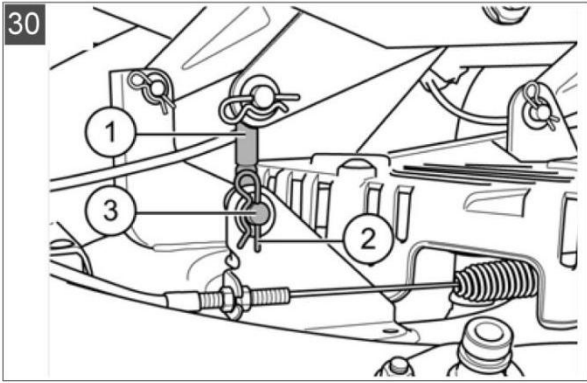
4. CONTROLS AND INSTRUMENTS














4.1 THROTTLE LEVER (Fig. 3A.)

IMPORTANT

Adjusting the throttle will change the speed of the ride-on mower.

This regulates the engine revs and speed. The positions are indicated on a label showing the following symbols:

-  «CHOKE» cold starting
-  «SLOW» for minimum engine speed
-  «FAST» for maximum engine speed

The «CHOKE» position enriches the mixture so must only be used if necessary when starting from cold.

4.2 IGNITION KEY SWITCH (Fig. 4)

- 0** Select this key position for 'Engine Off'. The ignition key may be removed in this position.
- I** Key position for engine running, after starting.
- II** Turn the key to the 'Start' position for starting the engine. Release the key as soon as the engine is running. It then springs back to operating position **I**.

4.3 MANUAL: BRAKE/CLUTCH PEDAL (Fig. 5), HYDRSTATIC: BRAKE PEDAL (Fig. 6)

Brake

- For the manual transmission: Press the brake/clutch pedal (Fig. 5.1) all the way down (a), the drive is disengaged and the brake on the transmission is applied.
- For the hydrostatic transmission: If you press the brake pedal (Fig. 6.1) all the way down (a), the brake on the transmission is applied.

The ride-on mower brakes / Parking brake

- With manual transmission: Pulling the locking lever (Fig. 5.2) upwards (b) while the brake/clutch pedal (Fig. 5.1) is pressed down locks the brake.
- With the hydrostat transmission: Pulling the locking lever (Fig. 6.2) upwards (b)

To release the brake - Press the pedal again

IMPORTANT

WHEN STARTING: The brake/clutch pedal must be pressed down all the way.

4.4 MANUAL GEARBOX OPERATION [SELECT DRIVING SPEED]

4.4.1 Operating the manual transmission (Fig. 3, 5, 7)

The manual gearbox transmission of the ride-on mower has four forwards gears and one reverse gear.

The gears can be selected using a selector lever (Fig 3.B and Fig. 7.2) on the left of the operator's seat, according to the required driving speed.

When Starting the engine

The selector lever must be in the N position (Fig. 7.3), i.e. neutral, to start the engine.

IMPORTANT

NOTE - The mower cutting mechanism must be disengaged to start the engine.

Selecting a gear

1. Press the brake/clutch pedal (Fig. 5.1) down all the way when the engine is running.
2. Pull the locking button (Fig.7.1) on the selector lever (Fig. 7.2) all the way up.
3. Select the gear appropriate to the required direction of travel and driving speed.
4. To start moving off, slowly release the brake/clutch pedal (Fig.5.1). Releasing the pedal quickly may cause the engine to stall or the mower may move abruptly.

NOTE

If you want to select a lower gear than the one that is engaged, first brake to reduce the speed of the ride-on mower until the speed matches the corresponding gear.

4.4.2 Operating the hydrostatic transmission (Fig. 3, 8)

On ride-on mowers with hydrostatic transmission, there are two separate pedals on the right-hand side for forwards and reverse travel.

Direction of travel	Description
Forwards	Press the front pedal (Fig.8.2) to drive forwards.
Reverse	Press the rear pedal (Fig.8.3) to drive backwards. Note: The speed is limited when the mower cutting mechanism is switched on. Mowing in reverse (see chapter 7.6.2 "Mowing in reverse")

Starting to Move off

With The engine is running then:

1. Release the parking brake (Fig. 3.E, Fig. 8.1).
2. Select the direction of travel (Fig. 3.F).

Increasing the speed

Depress the pedal further down to increase the speed in the selected direction. Lift off the pedal to reduce drive speed.

4.5 OPERATING THE MOWER CUTTING BLADE MECHANISM (Fig.9, 10)

Setting the cutting height

The ride-on mower's mower cutting height can be set to various heights using an adjusting lever (Fig.9.2) , located right next to the operator's seat.

1. Press the release button (Fig. 9.1) on the adjusting lever (Fig. 9.2) (Fig. 9.a).
2. Move the adjusting lever in the required direction (Fig. 9.b):
 - Lever downwards: lowers the cutting height
 - Lever upwards: raises the cutting height

When switching on the mower cutting mechanism

1. Set the highest cutting height with the adjusting lever (Fig. 9.2).

Note: The mower cutter mechanism must always be started at the highest cutting height.

2. Pull the lever (Fig. 10.1) for switching on the mower mechanism upwards (Fig. 10.a) and engage it (Fig. 10.b). The mower cutting blades will be running.
3. Set the required cutting height with the adjusting lever (Fig. 9.2).

5 CHECKS BEFORE USE INSTRUCTIONS

▲ WARNING!

STOP – Danger – Only operate the ride-on once fully assembled – follow the assembly instructions

- Ensure the assembly has been completed, the oil level is correct and safety devices operate correctly before use.

5.1 CHECKING THE MOWER CUTTING MECHANISM

Wear heavy duty gloves and proceed with care. Check the mower blade, securing bolts and mower deck before using. Replace worn blades and parts. Damaged components should be renewed. Blades that are not balanced will increase vibration and cause damage to the ride-on tractor.

5.2 CHECK AND FILL ENGINE OIL AS NECESSARY (Fig. 11, 12)

IMPORTANT

NOTE

The engine is shipped with the oil drained. Fill and check oil levels before starting. Refer to the engine manual. Check the engine oil routinely and add oil as necessary.

Fill the engine oil using a funnel or filler pipe. Do not allow oil to spill on the engine, tractor or ground.

1. Fold the seat (Fig. 11/1) forwards and open the cover (Fig. 11/2) to the engine compartment (Fig. 11/a).
2. Unscrew the oil filler neck (Fig. 12/1) cap.
3. Check and pour in oil (Fig. 12/a) until the oil level can be seen between the MIN and MAX marks on the oil dipstick (Fig. 12/2). Do not overfill the engine.
4. Screw the oil filler neck (Fig. 12/1) cap on again.
5. Close the cover (Fig. 11/2) to the engine compartment and fold the seat (Fig. 11/1) back.

5.3 FUEL FILLING (Fig. 11, 13)

▲ WARNING!

Handle Fuel with Caution – Follow the instructions.

Petrol is highly inflammable. Fill the tank outdoors in a well-ventilated area. Do not smoke whilst filling. Allow the engine to cool before refueling. Do not refuel when the engine is running or it is hot.

IMPORTANT

For more detailed information, please refer to the separate operating instructions for the engine.

Use a suitable funnel or a filler pipe when refueling so that no fuel is spilled on the engine, tractor or the ground. For safety reasons, the fuel tank cap and other tank caps must be renewed if damaged.

Do not start the engine if the fuel has overflowed. The ride-on mower must be removed from the area contaminated by fuel, and the spilled fuel must be absorbed and wiped away from the ground, the engine and the deck using a cloth.

Do not start the engine until the fuel vapours have evaporated.
Keep fuel safely in containers solely for the purpose of storing petrol.
Use lead-free petrol, min. RON 91.

Filling the fuel tank

1. Switch off the engine and remove the ignition key.
2. The engine must cool before refueling, to reduce the risk of fuel igniting.
3. Fold the seat (Fig. 11/1) forwards and open the cover (Fig. 11/2) to the engine compartment (Fig. 11/a).
4. Open the tank cap (Fig. 13/1) and pour the fuel into the tank (Fig. 13/2) (Fig. 13/a).

Note: Avoid overfilling the fuel tank

5. Close the tank cap (Fig. 13/1).
6. Close the cover (Fig. 11/2) to the engine compartment and fold the seat (Fig. 11/1) back.

5.4 Check tyre pressure (Fig. 14)

Check the tyre pressure at regular intervals. Please note, incorrect tyre pressures are essential for the a level cutting deck.

-
1. The ride-on should be parked on a firm and level ground and remove the ignition key.
 2. The tyre should be allowed to cool down for about an hour after use. Only measure the tyres when cool.
 3. Measure the tyre pressures carefully.
 4. The tyre pressures should be 1.0 – 1.4 bar.
 5. Inflate or deflate as necessary.

PLEASE NOTE 1 PSI = 0.07 bar.

5.5 Attaching and removing the grass collector (Fig. 15)

Attaching the grass catcher

1. Fit the hooks (Fig. 15/1) of the grass catcher (Fig. 15/2) into the brackets (Fig. 15/3) on the ride-on mower (Fig. 15/a). Grip the grass catcher by the handle (Fig. 15/4) and the side facing away from the ride-on mower.

Note: The grass collector must be fitted symmetrically / level.

2. Tilt the grass catcher downwards (Fig. 15/b) until it engages on the ride-on mower.
3. Check the grass catcher is correctly seated.

To Remove the grass catcher

Simply reverse the procedure above to remove the collector.

5.6 Checking the safety devices

Check the safety devices correctly before starting the ride-on mower.



Danger when checking the safety devices!

Caution: Only check the safety devices from the operator's seat. Keep other people and animals a safe distance away. Check on a level surface so that the ride-on mower cannot roll away.

5.6.1 Checking the brake system contact switch (Fig. 03, 04)

The engine should only start when the brake is engaged. Follow the procedure below to check that the switch operates correctly.

The engine must be off before testing.

1. Sit on the operator's seat.
2. Release the parking brake by applying the brake/clutch pedal (Fig. 03/G) or the brake pedal (Fig. 03/E).
3. Release the brake/clutch pedal or the brake pedal again.
4. Attempt to start the engine, i.e. ignition key in position II (Fig. 04).

NOTE - The engine should not start without the brake engaged. Contact a service dealer if the engine starts during the test.

5.6.2 Checking the mower cutting mechanism contact switch

The engine should not with the cutting blade engaged. Check the safety switch operates correctly as follows:

The engine must be off before testing.

1. Sit on the operator's seat.
2. Apply the brake/clutch pedal or the brake pedal (see section 5.3 "Brake/clutch pedal (Fig. 05), brake pedal (Fig. 06)")
3. Engage the mower cutting mechanism (see "Operating the mower mechanism (Fig. 09,10)").
4. Attempt to start the engine, i.e. ignition key in position II (Fig. 04).

NOTE - The engine should not start with the cutting blade engaged. See a service dealer if the engine starts during the test.

5.6.3 Checking the seat contact switch (Fig. 16)

The ride-on tractor has a contact switch for the seat (Fig. 16/1), this ensures that the engine cuts off when nobody is on the operator's seat when the mower cutting mechanism is switched on or when the parking brake is not locked.

1. Sit on the operator's seat.
2. Apply the brake/clutch pedal or the brake pedal (see section 5.3 "Brake/clutch pedal (Fig. 05), brake pedal (Fig. 06)").
3. Start the engine and let it run at maximum rpm (see section 7.4 "Starting and shutting off the engine").
4. Engage the mower mechanism (see section 5.5 "Operating the mower mechanism (Fig. 09, 10)").
5. Lift yourself off the seat by standing up. It is not necessary to get off the tractor.

NOTE - The engine will switch off when leaving the seat. See a service dealer if the engine continues to run.

5.6.4 Checking the grass catcher contact switch (Fig. 17, 18)

The grass collector contact switch ensure the engine cuts out if the collector is not in place correctly, whilst the blades are working. The grass collector contact switch is located where the collector fits (Fig. 17/1).

1. Sit on the operator's seat.
2. Apply the brake/clutch pedal or the brake pedal (see section 5.3 "Brake/clutch pedal (Fig. 5), brake pedal (Fig. 06)").
3. Start the engine and let it run at maximum rpm (see section 7.4 "Starting and shutting off the engine").
4. Engage the mower cutting mechanism (see section 5.5 "Operating the mower mechanism (Fig. 09,10)").
5. Raise the empty grass catcher (Fig. 18/1) slightly (Fig. 18/a) (see section 7.6.4 "Emptying the grass catcher (Fig. 22, 23)").

NOTE - The engine must switch itself off. See a service dealer if the engine continues to run.

5.6.5 Mower cutting mechanism and belt covers visual check

The mower cutting mechanism and belt covers should be undamaged to prevent access to the belts, pulleys and blade. Replace safety covers. Refer to the service dealer if repairs are required.

6 OPERATING THE RIDE-ON MOWER



All operators must read and have adequate knowledge before using the ride-on mower.

Read and adhere to all safety instructions. Make sure the tractor is prepared correctly. All safety devices operate correctly. See a service dealer for further assistance before operating if any safety devices do not function correctly, guards are missing or the ride-on vibrates.

6.1 Key steps before starting

- Wear appropriate footwear and long trousers. Never mow barefoot or with open sandals.
- Check the mowing area. Remove all stones, sticks, wires and other debris from the lawn, which may be thrown from the mower. Continue to check whilst mowing.
- Complete all checks and steps outlined in the previous section. Do not use the tractor if any of the safety devices are not operating correctly.
- Do not carry objects on the ride-on.

6.2 Caution when using accessories



Danger due to incorrect accessories or incorrect use of accessories!

Only ever use safe and reliable accessories, ideally recommended by the manufacturer. Check that the accessory is safe to use. Using unsafe accessories, or using accessories incorrectly, can expose the operator and other persons to significant risks. The ride-on mower could be overloaded. This can lead to serious accidents.

6.3 Caution when pushing the ride-on mower (Fig. 03, 19)

▲ WARNING!

Danger when pushing on slopes!

Caution: Do not push the ride-on on slopes. It is only safe to push the tractor on flat level areas. The tractor may run away on slopes.

Steps to push the ride-on with manual transmission

1. Release the parking brake (Fig. 03/G) (see chapter 5.3 "Brake/clutch pedal (Fig. 05), brake pedal (Fig. 06)").
2. Move the gear selector lever (Fig. 03/B) to the N position.

Steps to push with hydrostatic transmission

The bypass lever (Fig. 19/1) is located at the rear in the lower area of the rear wall. Bypass release:

1. Pull out the bypass lever (Fig. 19/1).
2. Release the parking brake (see section 5.3 "Brake/clutch pedal (Fig. 05), brake pedal (Fig. 06)"). The ride-on mower can now be pushed.
3. After pushing, reset the bypass lever (Fig. 19/1) to enable the hydrostatic transmission again.

6.4 Starting and shutting off the engine

Engine Starting

1. Sit on the operator's seat.
2. Fully depress the brake/clutch pedal (Fig. 05/1) or the brake pedal (Fig. 06/1) and lock it with the locking lever (Fig. 05/2, 06/2).
3. Make sure the mower cutting mechanism is not switched on. To do this, check the position of the lever (Fig. 03/D).
4. With manual transmission: Make sure that the selector lever (Fig. 03/B) is set to the N position (neutral). To do this, check the position of the gear selector lever.
5. Move the engine speed controller (Fig. 03/A) to the front end stop. The hare symbol is located there.
6. Insert the ignition key into the ignition lock (Fig. 04/1).
7. **Starting the engine (electrically):**
 - Turn the ignition key to position "II" and hold it there until the engine is running (Fig. 04).

Note: Do not hold the start position for longer than 5 seconds. Pause before attempting start again.

- Release the ignition key; it automatically returns to position "I".

8. Starting the engine (with pull cord starter):

If the engine cannot be started with the electric starter, check the ride-on mower for mechanical damage. If there is no damage, the engine can also be started with the pull cord starter.

- Turn the ignition key to position "I" (Fig. 04).
 - Pull the cable starter (Fig. 20/1) straight out quickly and forcefully 3 to 4 times until the engine is running.
9. Move the engine speed controller (Fig. 03/A) to the operating position.

To switch off the engine

1. Shut off the mower cutter mechanism (Fig. 03/D).
2. Move the engine speed controller (Fig. 03/A) to the neutral position.
3. Fully depress the brake/clutch pedal (Fig. 05/1) or the brake pedal (Fig. 06/1) and lock it with the locking lever (Fig. 05/2, 06/2).
4. Turn the ignition key (Fig. 04/1) to the "0" position.
5. Remove the ignition key.

▲ WARNING!

Danger the engine and exhaust will be hot after use.

Be careful to consider if combustible items may catch fire if near to the ride-on.

6.5 Driving with the ride-on mower

▲ WARNING!

Danger - use a slower speed

Drive slowly, especially at the beginning, in order to familiarise yourself with the driving and braking behaviour of the ride-on mower.

Adjust the driving speed before changing direction so as to maintain control of the ride-on mower at all times and to prevent it from tipping over.

6.5.1 Starting off and stopping with manual Transmission

1. Fully depress the brake/clutch pedal (Fig. 05/1) or the brake pedal (Fig. 06/1) and lock it with the locking lever (Fig. 05/2, 06/2).
2. Set the mower cutting mechanism to the maximum cutting height (see section 5.5 "Operating the mower mechanism (Fig. 09, 10)").
3. Start the motor (see section 7.4 "Starting and shutting off the engine").
4. Pull the locking button (Fig. 07/1) on the selector lever (Fig. 07/2) all the way up.
5. Select the gear appropriate to the required direction of travel and driving speed.
6. To move off, slowly release the brake/clutch pedal (Fig. 05/1).
7. To stop, depress the brake/clutch pedal (Fig. 05/1).

NOTE - To select a lower gear than the one that is engaged, first brake to reduce the speed of the ride-on mower until the speed matches the corresponding gear.

6.5.2 Starting off and stopping with the hydrostatic transmission

1. Depress the brake pedal (Fig. 06/1) and hold it down.
2. Set the mower cutting mechanism to the maximum cutting height (see section 5.5 "Operating the mower mechanism (Fig. 09, 10)").
3. Start the engine (see section 7.4 "Starting and shutting off the engine").
4. Release the brake pedal.
5. Slowly press the foot pedal for the required driving direction:
 - Forwards: Foot pedal (Fig. 08/2)
 - Reverse: Foot pedal (Fig. 08/3)
6. The further you press the pedal, the faster the ride-on mower will drive in the selected direction.
7. To stop, release the foot pedal and press the brake pedal (Fig. 08/1).

NOTE – When leaving the ride-on, depress the brake pedal and engage the locking lever.

6.5.3 Use in cold weather: Preparing to drive at temperatures below 10 °C

1. Make sure the mower mechanism is not switched on. To do this, check the position of the lever.
2. Start the engine and let it run for about 30 seconds to warm up and optimise the gear oil viscosity. You can then drive the ride-on mower. Do not switch on the mower cutting mechanism until the engine has been running for a few minutes.

6.5.4 Driving and mowing on slopes



Danger: Additional care required when operating on slopes

Using a ride-on or tractor is particularly hazardous on inclines. Additional care is required. Please follow the instructions below.

Disengage the mower cutting mechanism and any add-on devices if the wheels spin or the vehicle stalls when driving on a slope. Then drive away down the slope slowly and in a straight along the fall line.

The weight of a full grass catcher increases the risk of the ride-on mower tipping over.

- Do not drive on gradients of more than 8° (15 %). Example: This corresponds to a change of 15 cm in height over a distance of 1 metre.
- Drive smoothly, without changing direction quickly.
- Do not brake suddenly.
- Keep the driving speed low.
- Do not drive across the slope.
- Do not accelerate suddenly.
- Steer smoothly.

6.6 Mowing with the ride-on mower

Change the operating speed to suit the conditions. Cutting too quickly will affect the quality of cut and collection. Slower speeds are safer.

The maximum driving speed is for travelling between areas, it is not intended for mowing. Use 2/3 of the maximum possible driving speed whilst mowing.

Normally, the cutting height is 4 - 5 cm. This corresponds to the 2nd or 3rd detent of the height adjustment (Fig. 03/C). Please mow with a higher cutting height if the grass is moist or wet. If the grass is very long, it is a good idea to mow in two passes. Set the mower cutting mechanism to the maximum cutting height on the first pass. You can reduce it to the required height for the second pass.

6.6.1 Switching on the mower cutting mechanism

NOTE - Do not switch on the mower cutting mechanism until the engine has been running for about one minute to warm up! Do not engage the blades when standing in long grass. The engine will stall.

The engine should be running and the engine speed controller (Fig. 03/C) is in the operating position (see section 7.4 "Starting and shutting off the engine").

1. Set the highest cutting height with the adjusting lever (Fig. 09/2). Only engage the blade with the highest cutting position.
2. Pull the lever (Fig. 10/1) for switching on the mower mechanism upwards (Fig. 10/a) and engage it (Fig. 10/b). The mower mechanism will be running.
3. Set the required cutting height with the adjusting lever (Fig. 09/2).
4. Moving off with the ride-on mower:
 - Manual transmission: see section 7.5.1 "Starting off and stopping with manual transmission"
 - Hydrostatic transmission: see section 7.5.2 "Starting off and stopping with foot hydrostatic transmission"

6.6.2 Mowing in reverse



Additional care is required when mowing in a reverse direction. Take extra care. Only reverse mow when necessary and you can safely do so.

6.6.2.1 Reverse mowing with manual Transmission

As soon as the mower cutting mechanism is engaged (i.e. also when stationary), the reverse gear is completely blocked. For reverse mowing (i.e. reversing with the mower mechanism engaged), however, the reverse gear can be released with the release lever:

1. Brake the ride-on mower to a standstill from forwards mowing by depressing the brake/clutch pedal (Fig. 05/1).
 - Move the selector lever (Fig. 07/2) to the **N** position.
2. Raise the release lever (Fig. 07/1) on the selector lever.
3. Move the selector lever (Fig. 07/2) from the **N** position to the **R** position.
4. For reverse mowing, slowly release the brake/clutch pedal (Fig. 05/1).

NOTE

Stop the mower before starting reverse mowing. The mower is designed to prevent reverse mowing if you are already moving in the reverse direction. The gear selector will move to the neutral gear (N) and the reverse gear will be blocked.

6.6.2.2 Reverse mowing with hydrostatic transmission (Fig. 21)

On engaging the mower cutting mechanism, the pedal for reversing is limited to a maximum speed of 1.08 km/h. Up to this speed, reverse mowing can also be carried out at any time by depressing the reverse pedal.

1. During forwards mowing:
 - Release the forwards pedal (Fig. 21/1)
 - Depress the brake pedal (Fig. 21/2) until the ride-on mower is stationary.
5. Depress the reverse pedal (Fig. 21/3).

NOTE

If you engage the mower mechanism when reversing, the ride-on mower is automatically limited to 1.08 km/h and the reverse pedal is locked.

Enabling a higher speed when reverse mowing

For reverse mowing at full speed, the reverse pedal can be enabled – even during reverse mowing:

1. During reverse mowing, push the enable button (Fig 21/4) on the right-hand side of the steering column cover downwards.
2. Depress the reverse pedal and release the enable button:
 - The reverse pedal remains enabled at a speed in excess of 1.08 km/h. It can now be depressed to the end stop.
 - If the speed drops below 1.08 km/h (e.g. due to braking), the reverse pedal is automatically locked again.

6.6.3 Switching off the mower cutting mechanism

▲ WARNING!

Danger cutting blades continue to rotate.

When the cutting blades are still spinning, they can cause severe cut injuries to hands and feet! As a result, keep your hands and feet away from the cutters!

1. To shut off the mower cutting mechanism, pull the mower mechanism lever (Fig. 03/D) out of the detent and push the lever completely downwards.
2. The mower cutting mechanism can be shut off when the ride-on mower is stationary and also while it is moving.

▲ WARNING!

Risk of injury due to objects being thrown out of the cutting deck

When crossing areas of gravel and crushed stone, objects can be drawn into the running mower cutter mechanism and then thrown out.

- Always switch off the mower cutting mechanism if you are driving over surfaces other than lawns.

6.6.4 Emptying the grass catcher (Fig. 22, 23)

NOTE - An audible signal sounds when the grass catcher is full. Empty the catcher.

The ride-on mower is equipped with a manually operated grass collector with a lever.

- The grass catcher can be emptied from the operator's seat.
- The engine cuts out if the grass catcher is lifted up or disconnected when the mower cutting mechanism is switched on.
- The mower cutting mechanism cannot be switched on unless the grass catcher is engaged correctly.

Emptying the grass catcher with operating lever

1. Pull the operating lever (Fig. 22/1) out of the grass catcher (Fig. 22/a).
2. Push the lever in the direction of travel so that the grass catcher opens (Fig. 23/a).
3. Move the grass catcher backwards with the lever until the catcher engages.

6.6.5 Mowing frequency

Vary the mowing frequency to suit the growing speed of the grass. Mow more often when the grass is growing quickly, such as during Spring and wet and warm periods. Avoid cutting long grass to low height, the lawn will be damaged. The ride-on will not be able to cut and collect the clippings. It is recommended to mow on a high setting first and then mow again two days later at the required height.

6.6.6 Mowing high grass

Mow with a higher cutting height adjustment when the grass is longer than normal or when it is wet. Then re-mow the grass with a lower, normal setting.

6.6.7 Cutting blade maintenance

The best mowing performance is achieved with a sharp mowing blade. A blunt blade will damage the grass plant, by shredding, ripping and tearing the grass. The damaged grass will turn yellow/brown and be prone to more disease.

- Check the cutting blade for sharpness and signs of wear or damage after each use! If necessary please contact a service workshop.
- If a replacement is required, only use original manufacturer replacement blades.

7 CLEANING THE RIDE-ON MOWER

The ride-on mower must be cleaned regularly to ensure optimum function and a long service life. Clean the ride-on mower and the grass collector each time after use to remove dirt and grass debris.

Do not use a high-pressure cleaner for cleaning. The water jet from a high-pressure cleaner or a garden hose can damage the electrical system and bearings. In particular, make sure that no water comes into contact with the engine, transmission and deflection pulleys, as well as the entire electrical system.

▲ WARNING!

Dangers when cleaning!

During all cleaning work:

- Switch off the engine and remove the ignition key.
- Remove the spark plug connector.
- Protective devices removed for cleaning must be reinstalled afterwards.

DANGER OF BURNS: Do not clean the lawn tractor until it has cooled down. The engine, transmission and silencer get very hot!

DANGER OF CUTS AND INJURY: When working on the cutters, pay attention to the sharp blades. Wear heavy duty safety gloves.

7.1 Cleaning the grass catcher

NOTE - Empty the grass collector before cleaning as described. A full grass catcher is too heavy to be removed safely.

Removing the grass catcher

1. Shut off the engine (see section 7.4 "Starting and shutting off the engine").
2. Remove the grass catcher (see section 6.5 "Fitting and removing the grass catcher").

Cleaning the grass catcher

1. Spray the inside and outside of the grass catcher with a water hose.
2. Carefully remove dirt and debris with a brush.

Note: Take particular care not to damage the fabric on grass catchers.

7.2 Cleaning the deck, engine and transmission

Do not use water or a high-pressure cleaner to spray down the engine or any of the bearing points (wheels, transmission, blade bearing). Water penetrating the ignition system, carburettor and air filter can cause malfunctions. Water in the bearing points can lead to loss of lubrication, and thus cause irreparable damage to the bearings.

Use a cloth, hand brush, long-handled paintbrush or similar for removing dirt and grass residues.

IMPORTANT

Damage to the electrical system by penetrating water!

When cleaning the ride-on mower with water, make sure that no water enters the electrical system!

7.3 Cleaning the discharge channel

Regular cleaning ensures that the cutting height adjustment can be moved easily.

7.4 Cleaning the mowing system

There are connections for a 1/2" water hose coupling on the mower deck. The mowing system can be cleaned by connecting a water hose.

The grass collector must be mounted during the cleaning process.

1. Connect the water hose (Fig. 24/1) to the cleaning fitting (Fig. 24/2) and turn on the water.
2. Start the engine and set it to a medium engine speed (see section 7.4 "Starting and shutting off the engine").
3. Lower the mower mechanism to the lowest cutting height (see section 5.5 "Operating the mower mechanism (Fig. 09, 10)").
4. Switch on the mower cutting mechanism.
5. The mowing system will be cleaned within a few minutes.
6. Switch off the mower cutting mechanism.
7. Switch off the engine.
8. Turn off the water and disconnect the hose (Fig. 24/1).

9. Start the engine again and allow the mower cutting mechanism to run for a few more minutes in order to clear out the water.
10. Clean the grass catcher (see section 8.1 "Cleaning the grass catcher").

8 MAINTENANCE

WARNING!

Dangers during maintenance!

During all maintenance work:

- Switch off the engine and remove the ignition key.
- Remove the spark plug connector.
- Protective devices removed for maintenance must be reinstalled afterwards.

DANGER OF BURNS: Do not work on the ride-on mower until it has cooled down.

The engine, transmission and silencer get very hot!

DANGER OF CUTTING AND INJURY:

When working on the cutters, pay attention to the sharp blades. Wear heavy duty gloves.

- Replace parts with genuine parts from a Cobra dealer
- Contact a service dealer for maintenance and servicing

8.1 Maintenance schedule

The following tasks may be carried out by the user independently. All other maintenance, service and repair work must be carried out in an authorised service workshop. In addition, please also comply with the recommended annual lubrication tasks as indicated in the lubrication plan.

Activity	Before each use	After each use	After the first 5 hours	Every 25 operating hours	Every 50 operating hours	Each time before putting into storage
Checking the engine oil level ^{)*}	X					
Changing the engine oil ^{)*}			X			X
Cleaning the air filter ^{)*}				X		
Replacing the air filter ^{)*}					X	
Checking the spark plug ^{)*}					X	
Checking the brake (test braking on a straight path)	X					

Activity	Before each use	After each use	After the first 5 hours	Every 25 operating hours	Every 50 operating hours	Each time before putting into storage
Check the tyre pressure	X					
Check the mowing blades	X					
Checking for loose parts	X					X
Checking V-belts (visual check)				X		
Cleaning the ride-on mower		X				
Cleaning the air intake grille on the engine ^{*)}	X					
Clean the transmission to remove grass and mowing residues		X		X		

* Refer to the operating instructions of the engine manufacturer

NOTE - It may be necessary to shorten the maintenance intervals compared to those stated in the table above in case of severe loading and at high temperatures.

8.2 Lubricating plan

Annual lubrication of key components is required.

Use a cloth to clean all points to be lubricated before greasing or spraying. Do not use water, so as to avoid possible corrosion.

Lubrication points:

- Spray oil onto the bearings of the front axle on the frame.
- Pivoting and bearing points: Lubricate all movable pivoting and bearing points.

NOTE - The front and rear wheels must be removed for greasing the axles and bearings.

8.3 Cleaning the air filter (Fig. 11, 25)

The air filter must be cleaned according to the maintenance schedule. To remove the air filter proceed as follows:

IMPORTANT

Risk of damage!

Engine components can be damaged due to dirt ingress when cleaning the air filter! Make sure that the area surrounding the air filter is clean and that no dirt gets into the intake port of the engine when the air filter is removed.

1. Switch off the engine and remove the ignition key.
2. Wait until the engine has cooled down.
3. Fold the seat (Fig. 11/1) forwards and open the cover (Fig. 11/2) to the engine compartment (Fig. 11/ a).
4. Unscrew the mounting screw (Fig. 25/1).
5. Pull the air filter cover (Fig. 25/2) upwards off the guide.
6. Pull the air filter (Fig. 25/3) off the guide.
7. Clean the air filter or renew it if necessary.
8. Reinstall the air filter in reverse order and tighten the mounting screw (Fig. 25/1) again.

8.4 Checking the spark plug (Fig. 26, 27, 28)

The spark plug must be checked according to the maintenance schedule and replaced if necessary.

NOTE - For more detailed information, please refer to the engine instructions

NOTE - Allow the engine to cool down before working on the engine.

NOTE – Replace the spark plug with a suitable equivalent

1. Remove the grass catcher (see section 6.5 "Hooking in and removing the grass catcher (Fig. 15)").
2. Remove the mounting screws (Fig. 26/1) from the rear fairing.
3. Open the rear fairing:
 - Fold the rear fairing half way open.
 - For subsequent assembly, note how the cables are connected to the fill level sensor, and remove them.
 - Fold the rear fairing open completely.
4. Remove the spark plug connector (Fig. 27/1) from the spark plug (Fig. 27/2) (Fig. 27/a).
5. Unscrew the spark plug with the supplied spanner (28/1) (28/a).
6. Check the electrode gap (A) and reset it if necessary (Fig. 28).

Note: The correct electrode gap can be found in the engine instructions.

7. Screw the spark plug in to the end stop with the supplied spanner and tighten it.
8. Push the spark plug connector back onto the spark plug.
9. Close the rear fairing again:
 - Connect the cables to the fill level sensor.
 - Fold the rear fairing closed.
 - Screw in the mounting screws (Fig. 26/1).
9. Hook the grass catcher in again (see section 6.5 "Hooking in and removing the grass catcher (15)").

8.5 Adjusting the Bowden cable for the mower cutting mechanism (Fig. 29)

WARNING!

Risk of injury! Any work on the mower mechanism must only be carried out when the engine is switched off!

If the mower mechanism can no longer be switched on or off again, the switching mechanism on the Bowden cable can be adjusted.

NOTE - If the mower mechanism cannot be switched on or off at all, have your ride-on mower checked and repaired by your customer service workshop.

- To adjust the Bowden cable (Fig. 29/1), loosen the two nuts (Fig. 29/2) and (Fig. 29/3).
- If the mower mechanism can no longer be switched on correctly, loosen the nut (Fig. 29/3) and adjust the Bowden cable (Fig. 29/1) with the nut (Fig. 29/2) until the mower mechanism can be switched on correctly again.
- If the mower mechanism can no longer be switched off correctly, loosen the nut (Fig. 29/2) and adjust the Bowden cable (Fig. 29/1) with the nut (Fig. 29/3) until the mower mechanism can be switched off correctly again.

8.6 Adjusting the mower cutting mechanism (Fig. 30)

The cutting height setting can be adjusted if it is no longer correct as a result of wear or because you have changed the tyres.

1. Park the ride-on lawnmower on a straight and level surface.
2. Set the cutting height adjustment (Fig. 09/2) to the lowest position.
3. Release the locking pin (Fig. 30/2) from the holding pin (Fig. 30/3).
4. Pull the holding pin (Fig. 30/3) out of the mower mechanism and the adjusting pin (Fig. 30/1).
5. Adjust the cutting height accordingly with the adjusting pin (Fig. 30/1).
6. Push the holding pin (Fig. 30/3) back through the adjusting pin (Fig. 30/1) and the mower mechanism, and secure the holding pin again using the locking pin (Fig. 30/2).

The correct setting of the mower mechanism –25 mm at the front and 35 mm at the rear – is measured at the lowest cutting height setting. These dimensions refer to the lower edge of the mower mechanism to the ground.

8.7 Starter battery

The ride-on mower does not include a charger for the starter battery.

Check battery specification: see battery box. The starter battery is located under the engine cover.

The starter battery is always supplied from the factory pre-charged.

▲ WARNING!

Danger if the starter battery is not handled correctly!

Follow the instructions below to avoid risks associated with the battery.

- Do not store the starter battery in the immediate vicinity of naked flames, do not burn it or place it on heaters. Risk of explosion.
- Store the starter battery in a cool, dry room (10 - 15 °C) over the winter. Avoid storing at temperatures below the freezing point.
- Do not leave the starter battery without charge for a long period. If the starter battery is not used for a long period, it should be charged using a suitable charger.
- Do not damage the starter battery. The electrolyte (sulphuric acid) causes chemical burns to the skin and clothing – immediately rinse away with plenty of water.
- Keep the starter battery clean. Only wipe clean with a dry cloth. Do not use water, petrol, thinners or similar for this purpose.
- Keep the connection terminals clean and grease them with terminal grease.
- Do not short-circuit the connection terminals.

Charging the starter battery

Charging is required:

- Before putting into storage before the winter break.
- If the machine will not be used for a long time (longer than 3 months).

▲ WARNING!

Danger if the starter battery is not charged correctly!

The charging current of the charger must not exceed 5A, and the charging voltage can only be max. 14.4 V. Risk of explosion of the starter battery if the charging current is more powerful! Always remove the ignition key before starting work on the battery.

We recommend charging this maintenance-free, gas-tight starter battery using a specifically suitable charger (which can be obtained through retail outlets). Comply with the operating instructions of the charger manufacturer before and during charging of the starter battery.

▲ WARNING!

Danger of a short circuit!

To avoid a short circuit, always disconnect the negative cable (-) of the battery first, and reconnect it last! Always remove the ignition key before starting work on the battery.

1. Remove the ignition key.
2. Open the bonnet (Fig. 01/7).
3. Connect the charger terminals to the connection terminals of the battery.

NOTE - Check the polarity:

- **Red terminal = positive terminal (+)**
- **Black terminal = negative terminal (-)**

Connect the charger to the mains and switch it on.

9 TRANSPORT

When moving the tractor with a suitable trailer. Ensure the cutting deck is supported correctly. Check the weight limit of the trailer. Secure the tractor. Lock the braking system, but do not rely on the brake. Secure separately. Drain fuel and remove the ignition key.

10 STORAGE

Weather Protection

The ride-on mower should be parked where it is protected against the effects of weather, especially moisture, rain and lengthy exposure to direct sunlight. Particularly the UV radiation contained in sunlight can cause plastic parts to fade, and damage them, in the event of long-term exposure.

Fuel Vapours

Never store the ride-on mower with fuel in the tank inside a building in which fuel vapours may possibly come into contact with naked flames or sparks. Only park the ride-on mower in rooms that are suitable for storing motor vehicles.

Long term storage

If possible, the ride-on mower should not be stored for long periods, e.g. over winter, with a full fuel tank. The fuel can evaporate. Before long-term storage, the fuel should be drained from the tank and the carburettor in order to avoid any build-up of deposits, which could result in problems when starting. Please contact your specialist workshop for advice.

11 TROUBLESHOOTING

WARNING!

Danger Injury hazard if engine is started inadvertently

Protect yourself against injury. Before carrying out any work on this mower:

- Switch off the engine.
- Remove the ignition key.
- Engage the parking brake.
- Wait until all moving parts have come to a standstill and the engine has fully cooled.
- Pull the spark plug connector off the engine so that the engine cannot accidentally be started.

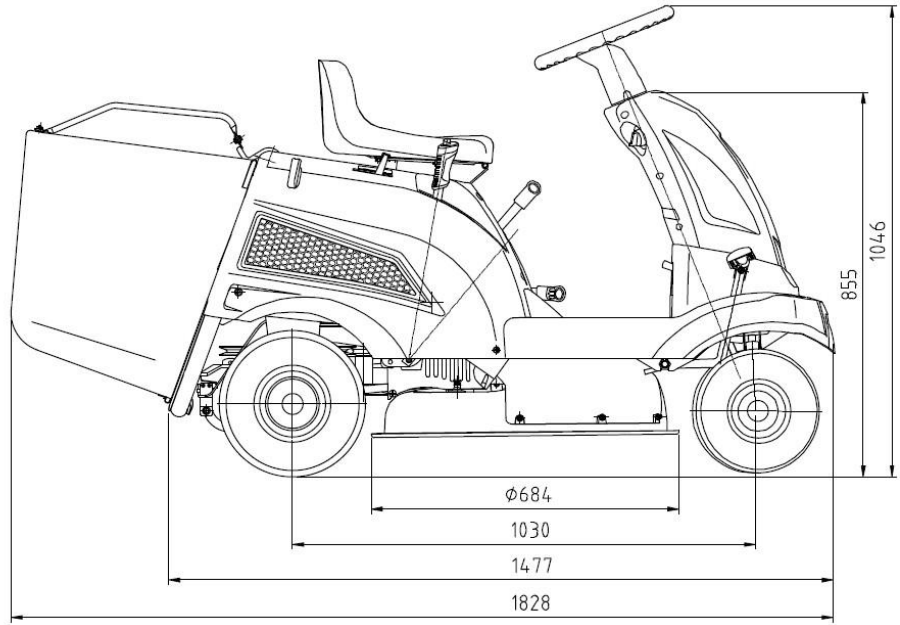
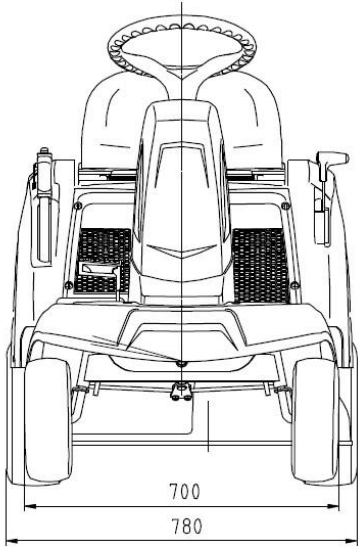
Faults which occur while you are using your mower often have simple causes, which may be corrected by the operator. If you are in any doubt however, your dealer or service center will be happy to provide assistance.

Malfunction	Cause	Remedy
Engine does not start.	Lack of fuel.	Fill tank; check tank bleeding; check fuel filter.
	Poor quality, contaminated or old fuel in the tank.	Always use fresh fuel from clean containers; clean carburettor (customer service workshop).
	Air filter contaminated.	Clean air filter.
	No ignition spark.	Clean the spark plug, replace with a new one if necessary, check ignition cable, check ignition system (customer service workshop).
	Too much fuel in engine combustion chamber due to repeated starting attempts.	Unscrew spark plug and dry off.
Grass catcher does not fill up.	Cutting height set too low.	Correct the cutting height.
	Grass is wet – it is too heavy to be transported by air stream.	Mow at a later time when lawn has dried out.
	Blades severely worn down.	Change blade. (Customer service workshop)
	Grass in lawn too tall.	Mow grass twice: <ul style="list-style-type: none"> ■ 1st pass: max. cutting height ■ 2nd pass: desired cutting height.
	Fabric bag blocked – no air throughput.	Clean fabric bag.
	Discharge channel/mower deck contaminated.	Clean discharge channel/mower deck.
Travel drive, brake, clutch and mower mechanism.		Only have the check performed in a customer service workshop!

Malfunction	Cause	Remedy
Starter does not work.	Starter battery flat or weakly charged.	Charge starter battery.
	Safety switch on operator's seat does not function.	Sit on operator's seat correctly; switch defective.
	Safety switch on brake pedal does not function.	Press brake pedal down fully.
	Mower mechanism switched on.	Switch off mower mechanism.
	Fuse on (+) cable of starter battery.	Check fuse, replace if necessary.
Engine is losing power.	Grass too long or too wet.	Correct the cutting height; make clearance for mower mechanism by moving back a short distance.
	Discharge channel/mower deck blocked.	Clean discharge channel/mower deck. Stop engine and take out ignition key!
	Air filter contaminated.	Clean air filter.
	Carburettor setting incorrect.	Have the setting checked (customer service workshop).
	Blades severely worn down.	Replace blades (customer service workshop).
	Driving speed too fast.	Reduce driving speed.
Ride-on mower vibrates extensively.	Mower mechanism is damaged.	Check mower mechanism (customer service workshop).
Rough cut.	Blade worn, blunt.	Renew or regrind blade. Reground blades must be rebalanced (customer service workshop)!
	Incorrect cutting height.	Correct the cutting height.
	Engine speed too slow.	Set maximum engine speed.
	Driving speed too fast.	Reduce driving speed.
	Different tyre pressure at wheels.	Inflate to correct air pressure. Read off correct tyre pressure on tyre.

12 TECHNICAL DATA

Ride-on mower	LT62MRL	LT62HRL
Item no.	TRM162-L224	TRM162H-L224
Engine		
Name	Loncin	Loncin
Type	1P75F	1P75F
Fuel Type	Petrol	
Engine starting	Key Electric Start / Pull Cord	
Engine speed [rpm]	3,000	
Engine output [kW]	4.2	4.2
Displacement [cm ³]	224	224
Fuel tank capacity [litres]	1.4	1.4
Ride-on mower		
Max. driving speed [km/h] at 3,000 rpm (forwards / backwards)	4.5 / 1.4	5.9 / 3.0
Transmission	Manual (4/1)	Hydro Gear T1
Gear speeds (km/h):		Stepless
1st gear, forwards	1.5	–
2nd gear, forwards	2.5	–
3rd gear, forwards	3.5	–
4th gear, forwards	4.5	–
Reverse gear	1.4	–
Weight [kg]	125	125
Mowing circle	125cm	
Steering	Direct	Indirect (steering box)
Grass catcher		
Catcher capacity	130 litres	
Grass carrier emptying	Telescopic lever / manual	
Grass catcher fill-level indicator	Yes	Yes
Cutting blade		
Number of cutting blades	1	
Cutting width	62 cm	
Blade brake clutch	Belt Clutch (Mechanical)	
Cutting height	25 - 75 mm	
Cutting height adjustment	4 Stage	
Tyres		
Tyre size, front [inches]	11 x 4.0-5	
Tyre size, rear [inches]	13 x 5.0-6	
Tyre pressure [bar]	1.0 - 1.4	
Maximum noise and vibration values [1]		
Measured sound pressure level at the operator's ear ISO 5395-1 LpA [dB(A)]	83.1	83.1
Measurement inaccuracy K for LpA [dB(A)]	3	3
Measured sound power level LwA [dB(A)]	94.45	94.45
Measurement inaccuracy K for LwA [dB(A)]	1.17	1.17
Guaranteed sound power level LwA [dB(A)]	98	98
Vibration value ahw [m/s ²] according to DIN EN ISO 5395-1	2.196	2.196
Whole body vibration / hand-arm vibration m/s ²	1.09	1.09
Measurement inaccuracy K for ahw	1.5	1.5



13 WARRANTY

This product is warranted in accordance with legal regulations for a 24 month period effective from the date of purchase by the first user. A further 36 months limited warranty is available subject registration, reasonable homeowner use and annual servicing by an approved Cobra dealer and the conditions outlined below. The Cobra dealer will require evidence that the annual services were completed through-out the period of ownership for the warranty to be extended.

This product will not be covered if used in a commercial application.

This warranty covers all material or production failures, it does not include: defects from normal wear and tear, parts such as, bearings, brushes, cables, air cleaning elements, brake pad, clutch disc, tyre, wheel, recoil starter rope, belts, cutter blades, blade bosses, plugs, lubricant oils and grease or accessories. Damage or defects resulting from abuse, accidents or alterations, natural fading of painted or plated surfaces, sheet peeling and other natural deterioration.

Any damage that occurs from the use of non-genuine Cobra parts will not be covered.

We reserve the right to reject any claim where the purchase cannot be verified or when it is clear that the product was not maintained properly. (Clean ventilation slots, carbon brushes and serviced regularly)

Expenses incidental to the warranty claim that are not covered;

-Compensation for loss of time, commercial loss or rental costs of substitute product.

-Costs incurred for transportation to and from the dealership.

Any damage that occurs from the following will not be covered; exposure of the product to smoke and soot, chemical agents, bird droppings or other animal waste, seawater, sea breeze, salt or other environmental phenomena.

Any damage resulting from operating methods other than those indicated in the owner's manual will not be covered.


Your purchase receipt must be kept as proof for date of purchase. Your un-dismantled tractor must be returned to your dealer in an acceptably clean state, accompanied by your proof of purchase.

Please Register Your Tractor

If your dealer did not collect registration information from you, please take a few minutes and register your purchase with Cobra. You can register by completing and mailing the registration card that should be in the box or by going online to:

www.cobragarden.co.uk and clicking on Product Registration.

14 EC-DECLARATION OF CONFORMITY

EC Declaration of Conformity	
We herewith declare,	Cobra Garden Machinery Henton & Chattell Ltd, London Road, Nottingham NG2 3HW UK
That the following machine complies with the appropriate basic safety and health requirements of the EC Directive based on its design and type, as brought into circulation by us.	
In case of alteration of the machine, not agreed upon by us, this declaration will lose its validity	
Product	Ride-on lawnmower for mowing garden lawns
Machine Type:	LT62MRL (TRM162-L224) LT62HRL (TRM162H-L224)
Rated power	4.2kW at 3,000 min ⁻¹
Measured sound power level:	LT86MRL (TTM86M) – 94.5 dB(A) LT86HRL (TTM86H) – 94.5 dB(A)
Guaranteed sound power level:	98 dB(A) Notified Body for EC Directive 2000/14/EC:0359 TUV Rheinland (Shanghai) Co., Ltd. No.177, 178, Lane 777 West Guangzhong Road, Jing'an District, Shanghai, China
Applicable EC Directives:	2014/30/EU 2006/42/EC 2000/14/EC 2011/65/EU 2016/1628/EU
Commission Delegated Regulation	2017/654 amended by (EU) 2018/989 2017/655 amended by (EU) 2018/987 2017/656 amended by (EU) 2018/988
Applicable Harmonized Standards:	EN ISO 5395-1:2013+A1, EN ISO 5395-3:2013+A1+A2
Technical standards/ specifications :	EN ISO 12100:2010, EN ISO 14982:2009
Authorized Signature/Date:	 20/3/2023
Title of Signatory:	Managing Director
Name and address of the person authorised to compile the technical file	Cobra Garden Machinery Henton & Chattell Ltd, London Road, Nottingham NG2 3HW UK

